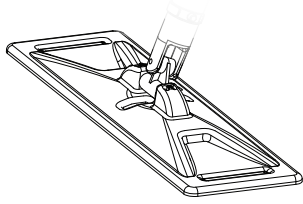


# Z-Squeeze Mop

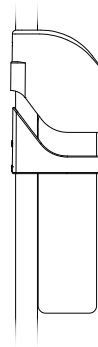
## Assembly Instructions



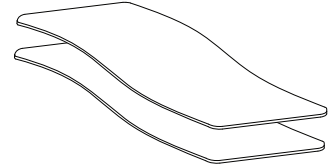
Contents included:



Flat mop head



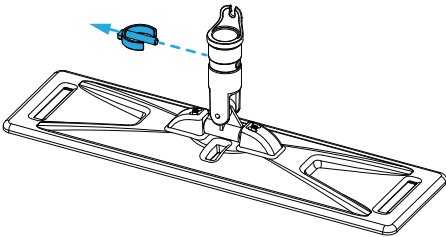
Handle with refillable bottle assembled



2 disposable microfiber pads

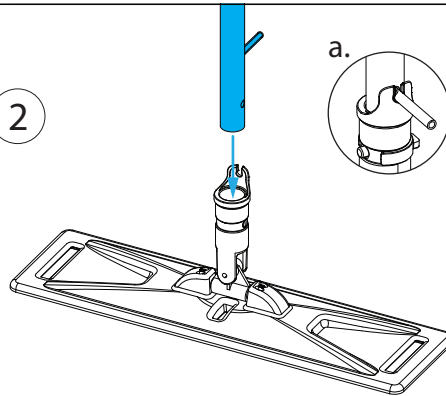
To Assemble:

1

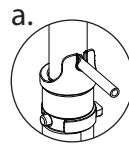


Locate the C-Clip on the mop head and Remove the C-Clip (as shown in picture)

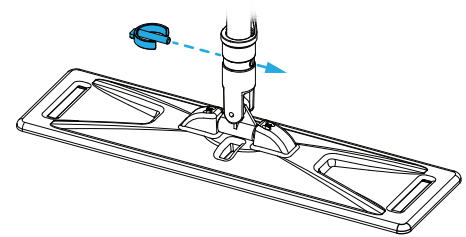
2



Take the handle and insert it into the mop head as shown in the picture. Note tube Direction.



3



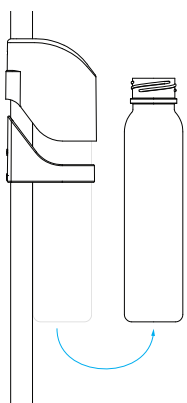
Re-attach the C-Clip to the mop head to secure the handle to the frame.

a

Please take special note of the direction of the handle as you insert it onto the mop head. Ensure that the spray nozzle on the handle is positioned onto the mop frame as shown in the image for proper use.

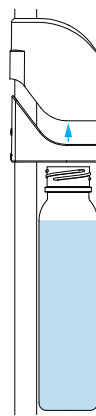
To get started using your new Ez Squeeze mop:

1



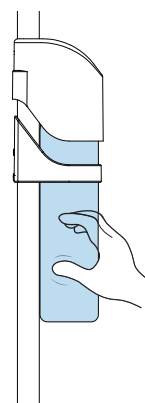
Twist the empty bottle off the handle by turning it counter clockwise.

2



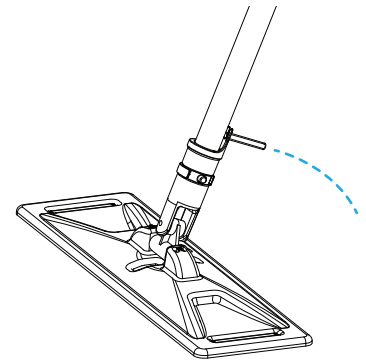
Fill bottle with your favorite cleaning solution and water and Securely twist filled bottle back on.

3



To begin mopping, squeeze the bottle to dispense cleaning liquid.

4



Cleaning liquid should dispense in back of the mop if properly assembled. As shown in image

Floor pads: Can be used with disposable or washable microfiber floor pads. Pad attaches to bottom of the mop head with "velco-like" strips to hold the pad in place while mopping.